



**BRANO a.s., 747 41 Hradec nad Moravicí
Czech Republic**

tel.:+420/ 553 632 318, 553 632 345

fax:+420/ 553 632 407, 553 632 151

<http://www.brano.cz>

info@brano.cz

**OPERATION MANUAL
SECURITY PRINCIPLES, OPERATION AND MAINTENANCE
FOR
RACK JACK**

type: 15-00/2,5t; 15-00/5t; 15-01/10t; 15-01/16t; Z23/20t

WITH RATCHET CRANK

type: 15-00-RK/2,5t; 15-00-RK/5t; 15-01-RK/10t

WITH ADJUSTABLE REST

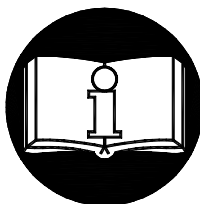
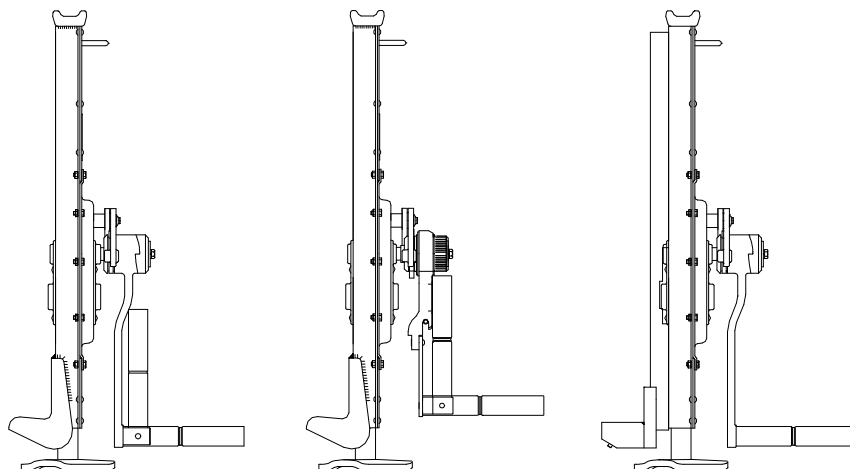
type: 15-00-VK/2,5t; 15-00-VK/5t; 15-01-VK/10t

WITH ADJUSTABLE REST AND RATCHET CRANK

type: 15-00-VK-RK/2,5t; 15-00-VK-RK/5t; 15-01-VK-RK/10t

WITH A RATCHET CRANK-LEVER

type HZ/5t



Peruse the operation manual before using the jack. It comprehends substantial security instructions and instructions for use, installation and maintenance of the product. Ensure the Operation Manual to be available for all responsible persons.

Keep for next usage!

Edition 1
MARCH 2006

Registration number 1-52182-0-1



CONTENT

| | |
|---|----|
| 1 DEFINITION..... | 3 |
| 2 DEVICE PURPOSE | 3 |
| 3 SECURITY PRICIPLES..... | 4 |
| 3.1 SECURITY PRINCIPLES OVERVIEW | 4 |
| 3.2. SECURITY PRINCIPLES | 4 |
| 3.2.1 Prior to use..... | 4 |
| 3.2.2 When in use | 4 |
| 3.2.3 Risk analysis | 5 |
| 3.2.4 Maintenance..... | 5 |
| 4 PACKING, STORAGE AND HANDLING | 5 |
| 4.1 PACKING..... | 5 |
| 4.2 STORAGE..... | 5 |
| 4.3 HANDLING..... | 6 |
| 5 MAIN SPECIFICATIONS..... | 6 |
| 5.1 MECHANICAL DEVICE..... | 6 |
| 5.2. MATERIAL AND FINISH | 7 |
| 5.3 DATA ON THE PRODUCT..... | 7 |
| 6 JACK OPERATION | 7 |
| 6.1 JACK OPERATION INSTRUCTIONS..... | 8 |
| 6.2 REST ADJUSTMENT | 8 |
| 6.3 RATCHET CRANK OPERATION | 8 |
| 6.3.1 Raising or lowering..... | 8 |
| 6.3.2 Ratchet crank-lever | 9 |
| 6.4. BEARING SURFACE CHECK -UP | 9 |
| 6.5 TEST PRIOR TO USE..... | 10 |
| 7 OPERATION | 10 |
| 7.1 APPLICATION OF THE JACK..... | 10 |
| 7.2 SAFETY WORK ENVIRONMENT | 10 |
| 8 CHECK-UP ON THE JACK | 11 |
| 8.1 INSPECTION | 11 |
| 8.1.1 Inspection types | 11 |
| 8.1.2 Daily inspection | 11 |
| 8.1.3 Regular inspection..... | 11 |
| 8.1.4 Jack occasionally used..... | 11 |
| 8.1.5 Report on inspection..... | 11 |
| 8.2 INSPECTION PROCEDURE..... | 12 |
| 9 TROUBLE-SHOOTING | 13 |
| 10 GRASING..... | 13 |
| 10.1 GENERALLY..... | 13 |
| 10.2 JACK MECHANISM | 13 |
| 11 MAINTENANCE | 13 |
| 11.1 SECURITY PRINCIPLES | 13 |
| 11.2 REPLACEMENT OF BRAKE INSERTS AND BRAKE ADJUSTING | 14 |
| 11.2.1 Brake disassembly (fig. 6) | 14 |
| 11.2.2 Brake assembly and adjusting (fig. 6 and 7) | 14 |
| 11.3 GENERAL INSTRUCTION | 14 |
| 11.4 CHECK UP..... | 15 |
| 11.5 REPAIR..... | 15 |
| 11.6 TEST..... | 15 |
| 12 PUTTING OUT OF OPERASTION – LIQUIDATION | 15 |
| 13 RELATED DOCUMENTATION | 15 |
| 14 FINAL REQUIREMENTS OF THE PRODUCER TO THE CUSTOMER | 15 |
| EC DECLARATION OF CONFORMITY | 16 |

1 DEFINITION

! HAZARD **Hazard:** it adverts to an imminent hazardous situation, which will inflict death or serious injury, if the operation personnel will not avoid it.

! WARNING **Warning:** it adverts to a possible hazardous situation, which could inflict death or serious injury, if the operation personnel will not avoid it.

! NOTICE **Notice:** it adverts to a possible hazardous situation, which could inflict any minor or slight injury, if the operation personnel will not avoid it. The notice can warn against hazardous practices as well.

Load capacity (Q): is the maximum permitted weight (working load limit) of a load on the jack head, by which the jack is possible to be loaded when handling on conditions specified in this Operation Manual.

Load capacity (Q1): is the maximum permitted weight (working load limit) of a load on the rest, by which the jack is possible to be loaded when handling on conditions specified in this Operation Manual.

2 DEVICE PURPOSE

2.1 The 15-00, 15-00-VK, 15-00-RK, 15-00-VK-RK, 15-01, 15-01-VK, 15-01-RK, 15-01-VK-RK and Z 23 rack jack types with load capacities 2,5t, 5t, 10t, 16t and 20t and type HZ lifting capacity 5t (hereinafter referred to as jack) is designed entirely for manual raising, lowering and pushing of free loads in the workplace. The load weight when raising does not have to exceed specified permitted load capacity.

2.2 The jack by its design meets requirements provided by Directive 98/37/EC of the European Parliament and of the Council as amended by the Czech technical regulation – ministerial order No. 24/2003 of the Collection of Laws as amended as well as requirements of the ČSN EN ISO 12100-1, ČSN EN ISO 12100-2, ČSN EN 1050 and ČSN EN 1494 harmonized technical standards.

2.3 The jack by its design meets requirements specified for the group I of devices (mine) category M2 according to the Directive 94/9/EC of the European Parliament and of the Council as amended by the Czech technical regulation – ministerial order No. 23/2003 of the Collection of Laws as amended as well as requirements of the ČSN EN 13463-1 harmonized technical standard and complies with the conditions for use in „hazardous atmospheric conditions 2“ environment according to the ČSN EN 1127-2 standard with the limitation according to the national regulation – CBM (Czech Bureau of Mine) regulation No.22/89 of Collection of Law § 232 section (1) c) up to 1,5% of mine gas accumulation.

2.4 The jack by its design meets requirements specified for the group II of devices (non-mine) category 2 and 3 according to the Directive 94/9/EC of the European Parliament and of the Council as amended by the Czech technical regulation – ministerial order No. 23/2003 of the Collection of Laws as amended as well as requirements of the ČSN EN 13463-1 harmonized technical standard and complies with the conditions for use in „zone 1 and zone 21“, „zone 2 and zone 22“ environments according to the ČSN EN 1127-1 standard.

Note: 2.3 and 2.4 articles apply for jack designed for use in the environment with explosion hazard.

3 SECURITY PRINCIPLES

3.1 SECURITY PRINCIPLES OVERVIEW

A hazard exists when handling loads especially in the event that the jack is not use in the right way or is badly maintained. Whereas as a result an accident or severe injury could happen, it is necessary to observe the special security measures when handling, assembling, maintaining and checking the jack.

! WARNING

ALWAYS ensure the load against drop (i.e. by a stand or jack block), if you are going to work under it.

NEVER burden the jack more than is the load capacity indicated on the jack.

NEVER jack up persons.

ALWAYS warn persons in surroundings before starting work.

ALWAYS read the operation manual and security instructions.

Bear in mind that the operation staff is responsible for faultless technique of raising loads. Hence verify all national directives, regulations and standards whether they contain other information on safety work with your jack.

3.2. SECURITY PRINCIPLES

! WARNING

3.2.1 Prior to use

ALWAYS ensure the jack would be operated by physically fit, qualified and instructed persons older than 18 years, familiarized with the operation manual and trained in security of work and mode of operation.

ALWAYS check up the jack every day before starting work according to section 8.2. (1) „Daily inspection“.

ALWAYS make sure that the lift is adequate for intended work.

ALWAYS respect the jack is on firm foundation.

NEVER jack up loads well set or of unknown weight.

NEVER push with the jack without knowledge of expansion forces.

NEVER use the defective or outworn jack.

NEVER use the jack without visible load capacity marking on the jack.

NEVER use the jack marked with the label „**OUT OF OPERATION**“.

ALWAYS consult the producer or his authorized representative any application of the jack in nonstandard or extreme environment.

3.2.2 When in use

ALWAYS attend to the jack would stay vertically when jacking up.

ALWAYS make sure the load is fitly put on the jack.

ALWAYS pay increased attention, if the jack is drawn up to maximum position.

- ALWAYS** work with the jack only with manpower.
- ALWAYS** when jacking up loads with a weight oncoming safe working load of the hoist we recommend the operation would be ensured by two persons owing to magnitude of actuating forces.
- NEVER** use the jack for anchoring of loads.
- NEVER** allow the load would give rise to impacts or vibrations.

3.2.3 Risk analysis

The possible risks analysis in light of design, operation and environment of the jack appointment is presented in freestanding document „Risk analysis“. It is possible to require the document in service centers.

3.2.4 Maintenance

ALWAYS make possible to competent persons to carry out the regular inspection of the jack.

ALWAYS ensure slipping parts would be sufficiently greased.

At maintenance only such interventions can be done that will be in accordance with producer's requirements stated in the chapter 11 of this OM.

IT IS NOT PERMITTED to carry out repairs and maintenance in other manner than specified by the producer. It concerns namely the forbiddance of using of unoriginal spare parts or carrying out changes on the product without the approval of the producer.

4 PACKING, STORAGE AND HANDLING

4.1 PACKING

4.1.1 Jacks are supplied in assembled state in bulk in transport cases.

4.1.2 The following accompanying documentation is a part of the delivery:

- a) Operation Manual
- b) EC Declaration of Conformity
- c) Quality and Completeness Certificates and Guarantee Certificate.
 - c1) Guarantee period is stated in the Guarantee Certificate.
 - c2) The guarantee does not apply to defects caused by infringement of the instructions stated in the Operation Manual and defects arisen by improper using and unskilled action.
 - c3) The guarantee does not apply as well to changes on the product or using of unoriginal spare parts without the approval of the producer.
 - c4) Reclaiming of product defects is carried out according to applicable provisions of commercial code eventually as amended.
- d) List of service centers.

4.2 STORAGE

Store jacks in dry and clean stores void of chemical impacts and noxious fumes.

- (1) Wipe away all dust, water and impurities from the jack.
- (2) Grease the rack of the jack.
- (3) Put the jack in a dry place.
- (4) In next using follow instructions in the article 8.1.4 „Jack occasionally used“.

4.3 HANDLING

During transportation and handling, observe technical regulations and standards in force for work with heavy loads.

5 MAIN SPECIFICATIONS

| Type | Load capacity (t) | | Actuating force on crank (N) | | Range of Operating temperature | Weight (kg) |
|--|-------------------|----------------|------------------------------|-------------------|--------------------------------|-------------|
| | Q | Q ₁ | | | | |
| 15-00 15-00-RK 15-00-VK 15-00-VK-RK | 2,5 | 1,75 | 380 | | -20°C till +50°C | 15 |
| 15-00 15-00-RK 15-00-VK 15-00-VK-RK | 5 | 3,5 | 550 | | | 22 |
| HZ | 5 | 3,5 | 550 ¹⁾ | 330 ²⁾ | | 23 |
| 15-01 15-01-RK 15-01-VK 15-01-VK-RK | 10 | 7 | 540 | | | 38 |
| 15-01 | 16 | 11,2 | 730 | | | 65 |
| Z 23 | 20 | 14 | 800 | | | 90 |

1) Handle in position "crank"

2) Handle in position "lever"

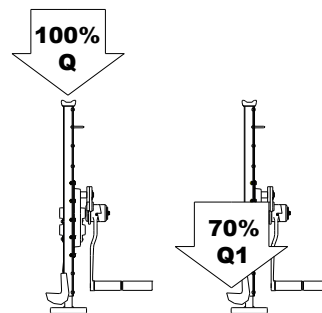


Fig. 1

5.1 MECHANICAL DEVICE

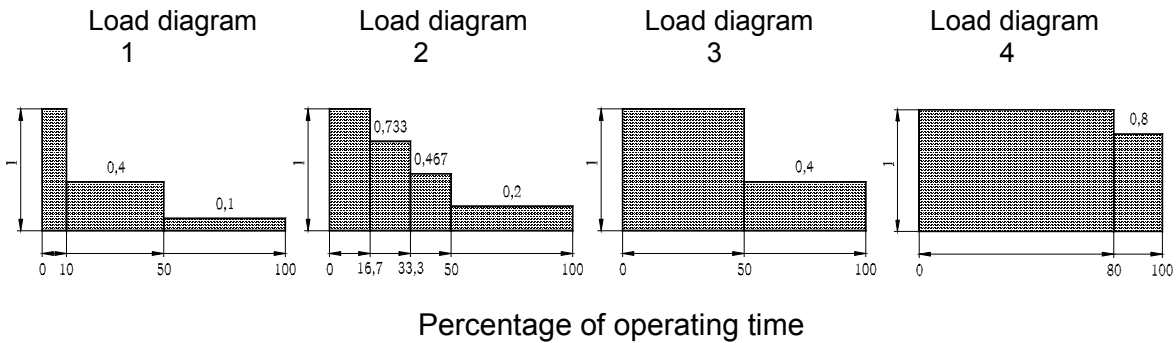
Safety and working life of the jack is guaranteed if it works in accordance with specified classification.

The jack is designed for class 1Bm according to the FEM 9.511 regulation – see table 5.1. (it corresponds to mechanism classification M3 according to the ISO 4301/1).

Average daily operating time is specified in the load diagram.

Tab. 5.1 MECHANICAL CLASSIFICATION

| Load diagram (load distribution) | Definition | Load coefficient | Average daily operating time (h) |
|----------------------------------|--|----------------------|----------------------------------|
| 1 (light) | Jacks usually being subject to the low load and only in special cases to the maximum load. | $k \leq 0,50$ | 1 - 2 |
| 2 (mean) | Jacks usually being subject to the low load, but quite often to the maximum load. | $0,50 < k \leq 0,63$ | 0,5 - 1 |
| 3 (heavy) | Jacks usually being subject to the mean load, but frequently to the maximum load. | $0,63 < k \leq 0,80$ | 0,25 – 0,5 |
| 4 (very heavy) | Jacks usually being subject to the maximum load or load approximating to the maximum. | $0,80 < k \leq 1,00$ | 0,12 – 0,25 |



5.2. MATERIAL AND FINISH

- 5.2.1 All parts of the jack are manufactured from steel and cast iron, the brake liners from hardened woven fabric.
- 5.2.2. Materials susceptible to a creation of an incentive spar within the meaning of the Annex No.2 Article 1.3.1 to the ministerial order No. 23/2003 of the Collection of Law and the ČSN EN 1127-2 article 6.4.4 and ČSN EN 13463-1 article 8.1 harmonized technical standards are not used.
- 5.2.3. Materials with dangerous effects of static electricity within the meaning of the ČSN EN 1127-2 article 6.4.7, ČSN EN 1127-1 article 6.4.7, ČSN EN 13463-1 article 7.4.3 and ČSN 33 2030 are not used in the jack.
- 5.2.4 The jack does not exceed the noise value specified in the Annex No.2 article 1.7.4 letter f of the ministerial order No. 24/2003 of the Collection of Law (EP and RE directive No. 98/37/EC).

Note: Articles 5.2.2 and 5.2.3 apply for jack finish to environment with explosion risk.

5.3 DATA ON THE PRODUCT

Each product is equipped with the label with specified data as follows:

| Standard finish: | Finish to environment with explosion risk: |
|-------------------------|--|
| Mark of the producer | Mark of the producer |
| Address of the producer | Address of the producer |
| Product type | Product type |
| Load capacity | Load capacity |
| Serial number | Serial number |
| Production year | Production year |
| CE marking | CE marking |
| | Protection type symbol (I M2 for group I , II 2G for group II) |

6 JACK OPERATION

! WARNING

ALWAYS before installation check up thoroughly whether the jack is not damaged.

ALWAYS safeguard the jack against drop at pushing or spreading out of loads (i.e. in horizontal direction). A drop can take place when shifting the load and thereby unloading and releasing the jack. Every such handling is necessary to be appreciated individually in terms of safety.

NEVER the load weight or resultant pushing force on the head must not exceed the safe working load of the jack.

! NOTICE

The jack safe working load on the rest is decreased by 30%.

6.1 JACK OPERATION INSTRUCTIONS

The jack is operated by the crank. Raising or lowering the load can be cut off in any lifting height. A lowering brake and pawl system with forced mesh in the jack crank safeguard the stability of the load position.

! NOTICE

At actuating force greater than 400N (it means when handling with the jack at the safe load limit) the jack must be operated by 2 persons at least.

6.2 REST ADJUSTMENT

(only types 15-00-VK, 15-01-VK, 15-00-VK-RK, 15-01-VK-RK).

Position of the adjustable rest can be changed in the range given by a number of mounting positions on the jack bar (only types 15-00-VK, 15-01-VK, 15-00-VK-RK, 15-01-VK-RK).

After removal of the breaking piece (2) and shifting of the rest in the direction indicated by an arrow, fastening pin (1) . 2 get loose in the jack bar and rest can be put out. Carry out rest fitting-on to other position by opposite procedure.

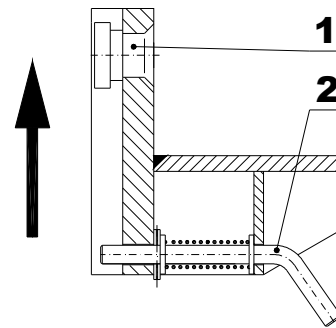


Fig.2

6.3 RATCHET CRANK OPERATION AND THE RATCHET CRANK-LEVER

(only types 15-00-RK, 15-01-RK, 15-00-VK-RK, 15-01-VK-RK a HZ).

6.3.1 Raising or lowering

Before raising hitch up the changeover lever and set on the mark of raising – up-arrow (see fig.3). Carry out the raising by oscillating (eventually rotation) motion of the ratchet crank.

At the beginning of the raising before the loading of the rack jack will take place, hold the knurled nut so that it would not be carried away by the crank at its backwards motion.

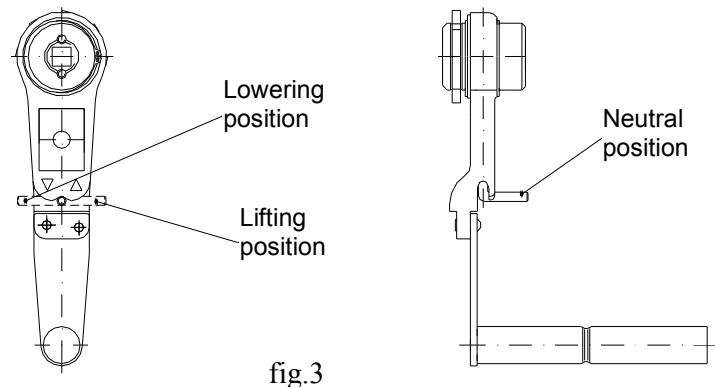


fig.3

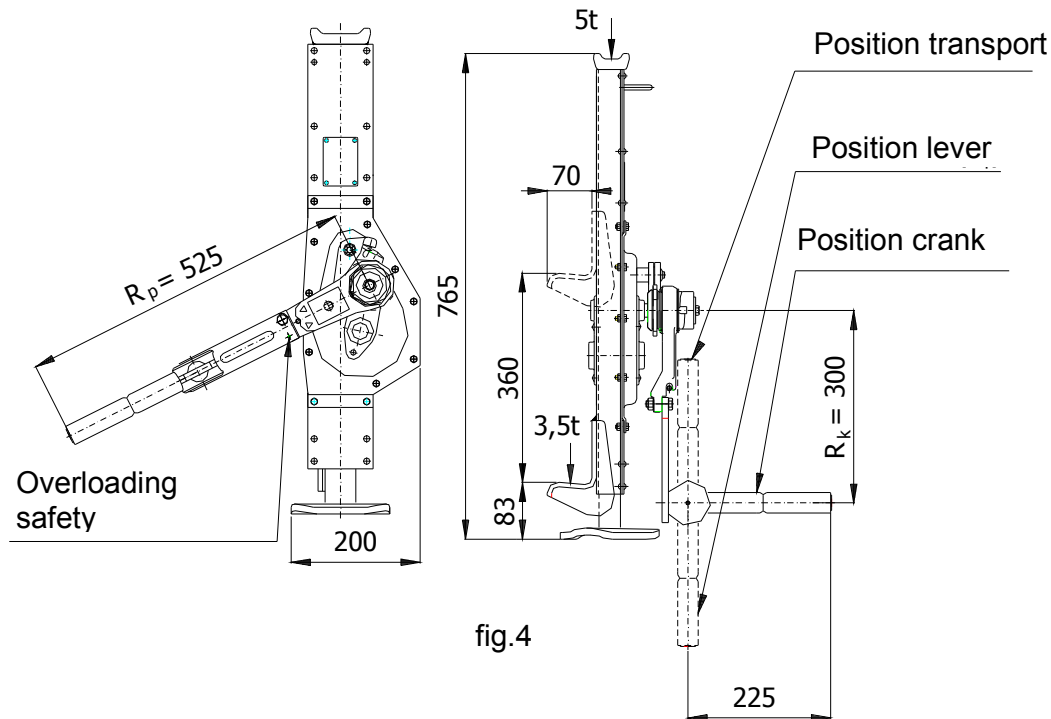
Before lowering the load, shift the changeover lever to the position on the lowering mark – down arrow (see fig.3). Lower down the load by oscillating (eventually rotation) motion of the ratchet crank.

Make sure at each change of the position of the changeover lever, whether the lever gets fitly to the socket in the ratchet crank.

First motion of the ratchet crank after reversing (after shifting of the changeover lever) is slightly blocked. This state arises by an influence of stronger follow-through of the brake

namely at manipulation with heavier loads. In this case release the brake by more point-blank motion, thereby you will coincidentally release the ratchet crank.

6.3.2 Ratchet crank-lever



The manipulation with the ratchet crank-lever during the lifting and lowering of loads is performed in the same way as is stated in article 6.3.1 and 6.3.2. The ratchet crank is changed to an extended lever by folding the crank-lever handle by 90° (into the lever position - see fig.4). We use this position for decreasing the control force during the manipulation with loads that are close to the nominal lifting capacity of the lifter. The ratchet crank-lever is equipped with a safety shear pin against overloading (see fig.4) If the shear pin is sheared during the manipulation with a load, it is still possible to lower the load even if the shear pin is sheared (after moving the reverse lever to the lowering position).

! WARNING

NEVER extend the lever's arm with a pipe or by any other method. The lever might get damaged

! NOTICE

The ratchet crank and also the ratchet crank-lever is interchangeable with a standard crank of correspondent type of jack. In case of replacement of the standard crank with the RK 300 ratchet crank at jack with load capacity 5t it is necessary before assembling to put on the square shank of the crank pinion the spacing tube – it is a part of delivery of the RK 300 ratchet crank– for safeguarding the correct position of the ratchet crank on the jack.

6.4 BEARING SURFACE CHECK-UP /floor, rough ground/

! NOTICE

ALWAYS make sure that the bearing surface is sufficiently firm to hold tightly supposed loading for all time of handling. The installation must not be carried out on the

surface where it is not possible to determine the load-bearing capacity or that is instable.

ALWAYS the operation personnel are responsible for the set-up!

6.5 TEST PRIOR TO USE

! NOTICE

- (1) At first read again the previous articles of this manual and make sure that all steps were correctly done and all parts are safety mounted.
- (2) Visually check the jack and bearing surface whether they are without defects.
- (3) Put to proof the jack function by the motion of the crank without loading.
- (4) Carry out several jacking up and lowering with the suitable load (10% till 50% of the load capacity). At the same time verify, whether the jack will hold firmly the load without slipping when lowering and stopping.

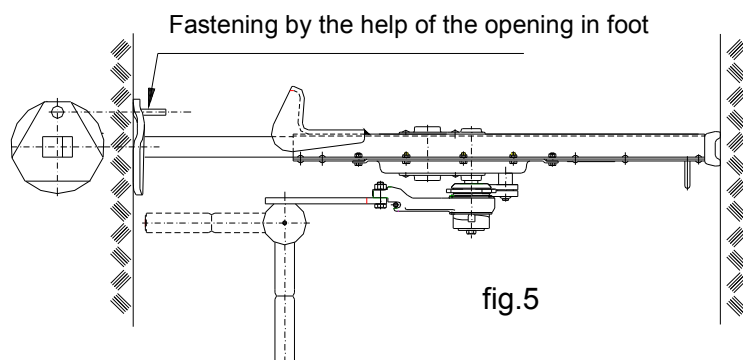
7 OPERATION

7.1 APPLICATION OF THE JACK

- 7.1.1 The jack is multifunctional equipment destined for manual jacking up, lowering, pushing and spreading of subjects in the workplace determined by the user. It can be used not only in a current environment, but also in environments with explosion risk in the event that there is the symbol of the protection type marked on the label – see articles 2.3, 2.4 and 5.3 of this OM.

The lifters type **HZ** have an opening in the foot which simplifies work when pushing apart objects above head height. The lifter's foot can be easily attached in the required position by using a screw for example, without the need to use a helper. (fig. 5)

APPLICATION IN HORIZONTAL POSITION



- 7.1.2 By reason that the work with heavy loads can constitute unexpected hazard it is necessary to follow all „Security principles“ according to the chapter 3 of this OM.

7.2 SAFETY WORK ENVIRONMENT

! Warning

- (1) The operating personnel must be demonstrably acquainted with this Operation Manual; they must adhere to valid security and hygienic regulations and must be qualified for operation of this equipment.
- (2) When working with the jack the operation staff must be equipped with gloves and appropriate footwear.
- (3) When operating by more persons always one worker must be determined who is trained in safety at work and is responsible for jack handling.

- (4) Before starting the work, the operation staff must check up whether all work area is safety and whether there is the possibility of eventual escape from the environment of jeopardy.

8 CHECK-UP ON THE JACK

8.1 INSPECTION

8.1.1 Inspections types

- (1) Introductory inspection: it precedes first use. The responsible competent person must check up all new or repaired jacks to ensure the qualified fulfilment of requirements of this OM.
- (2) The jack inspections carried out regularly are generally divided to two groups according to inspections intervals. Intervals depend on the state of critical parts of the jack and rate of wear, damage or malfunction. Two main groups are here marked as daily and regular ones. The appropriate intervals are defined as follows:

(a) Daily inspection: visual check up carried out by the operation staff determined by the user that is made at the beginning of each use.

(b) Regular inspection: visual check up carried out by the competent person determined by the user.

- 1) Current operation – once a year,
- 2) Heavy operation – every six month,
- 3) Special or occasional operation – according to recommendations of the competent person at first use and according to the order of qualified employees (maintenance workers).

8.1.2 Daily inspection

Check up at parts recommended in the section 8.2(1) „Daily inspection“, whether the jacks are not damaged nor have no defect. Carry out this inspection also during operation in the interval between regular inspections. Qualified employees will determine, whether any defect or damage can constitute a hazard and whether the detailed inspection is necessary.

8.1.3 Regular inspection

Carry out overall inspections of the jack in the form of recommended regular inspections. The recommended regular inspection stated in the section 8.2(2) must be performed under the supervision of the competent persons who will determine, whether the jack is necessary to be taken to parts. These inspections comprise also requirements of the daily inspection.

8.1.4 Jack occasionally used

- (1) Submit the jack not being in operation for a period of one month or longer but less than a year to inspection complying with requirements in the section 8.1.2 before follow-up putting it into operation.
- (2) Submit the jack not being in operation for a period of one year to inspection complying with requirements in the section 8.1.3 before follow-up putting it into operation.

8.1.5 Report on inspection

Keep the record of performed tests, inspections and maintenances of jacks every time. Carry out dating reports on inspections in intervals specified in the section 8.1.1 (2)(b) and keep them in the place specified by the user.

The person responsible for safety and determined by the user must be advised of defects detected by the inspection or recorded during the operation.

8.2 INSPECTION PROCEDURE

(1) Daily inspection (carried out by operating staff or person responsible)

| Part | Inspection method | Limit / criteria for putting-out of operation | Remedy |
|-------------------|--|--|--|
| 1. Jack function | Visually, aurally | The jack goes hardly, stammers, emits noise etc. | To clean up and grease the jack. If the defect will not be removed, get the jack repaired. |
| 2. Pawls function | Visual inspection when jacking up | Pawls do not snap behind dents of the ratchet. | To clean up, grease, eventually change the spring. |
| 3. Fixative parts | Visual inspection of all screws, nuts, rivets etc. | Faulty or missing parts; Released parts | Replace by new ones; To retighten released parts |

(2) Regular inspection (carried out by the competent person)

| Part | Inspection method | Limit / criteria for putting-out of operation | Remedy |
|---|---|---|---|
| 1. Fixative parts | Visual inspection of all screws, nuts, rivets etc. | Faulty or missing parts; Released parts | Replace by new ones; To retighten released parts |
| 2. All parts | Visual inspection | Outworn or damaged parts; Fouled and ungreased parts | Replace by new ones; To take to parts, clean up, grease and again assemble |
| 3. Label – marking of load capacity on the jack | Visual inspection | Load capacity is not readable | To repair or replace by new one |
| 4. Brake | Jack up and lower the load with weight equal approximately to the load capacity of the jack | When interrupting jacking up the brake must hold firmly the load in each position during raising and lowering | If it will not be so, ask for repair and adjusting of the brake |

9 TROUBLE-SHOOTING

| Situation | Cause of trouble | Remedy |
|---|---|--|
| 1. Jack does not hold firmly the load. | Brake slipping. | Brake adjusting or repair according to the chapter „Maintenance“. |
| 2. Jack jacks up heavily or does not raise the load. | (1) Jack is overloaded. (2) Damaged geared transmission. | (1) Lower the load weight to the value of the safe working load. (2) Repair of the jack |
| 3. Jack emits the special noise. | Insufficiently greased geared transmission. | Carry out the lubrication of the geared transmissions by grease. |
| 4. Characteristic sound is not heard when snapping the pawls to dents of ratchet. | Malfunction of pawls. Rust, impurities, broken spring. | Clean up, replace the spring. |

10 GREASING

10.1 GENERALLY

Before application of the grease remove old grease, clean up components with grease solvent and apply new grease. Use grease specified by the producer.

Lifters type HZ are equipped with a lubrication plug on the cover of the gear transfer. We recommend regular lubrication of the gear mechanism at least once every 6 months.

10.2 JACK MECHANISM

Throw up the unloaded jack to the maximum position. Grease with PM-A2 vaseline or its equivalent the ridge bar and lower down the jack.

Lifters type Rack lifter are to be lubricated with a lubrication press through the lubrication plug.

Grease all slipping or moveable surfaces on the crank of the jack.

! NOTICE

Imperfect maintenance and insufficient greasing can cause a serious accident.

ALWAYS grease more often in corrosive environment (salt water, oceanic climate, acids etc.) than in ordinary circumstances.

11 MAINTENANCE

11.1 SECURITY PRINCIPLES

! Warning

Only qualified persons (service organizations), trained in safety and maintenance of the jacks, can carry out maintenance and professional inspections.

ALWAYS use entirely components supplied by the producer.

It is not permitted to carry out repairs and maintenance in other way than specified by the producer. It means namely the forbiddance of using unoriginal spare parts or carrying out of changes on the product without the approval of the producer.

ALWAYS test jack function after carrying out the maintenance.

ALWAYS mark disabled or repaired jack with appropriate inscription (i.e. „**OUT OF OPERATION**“).

NEVER carry out maintenance if there is the load on the jack.

NEVER work with the jack that is under repair!

11.2 REPLACEMENT OF BRAKE INSERTS AND BRAKE ADJUSTING

11.2.1 Brake disassembly (fig. 6)

Demount the (crank or crank-lever) from the jack. Unbolt safety screws (6) and consequently the nut (5). Take out the spring (4) and crank arm (7). Take out from the hub (1) the ratchet (3) with brake insert (2A), take off the brake insert (2B), and replace both brake inserts (2A) (2B).

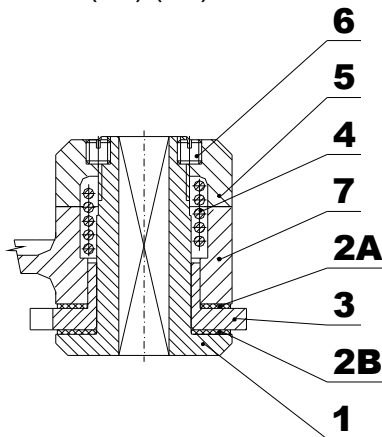


Fig. 6

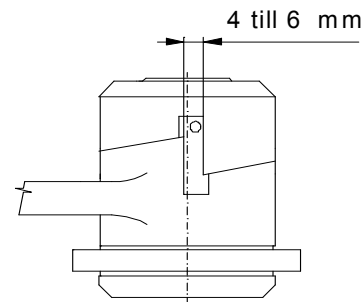


Fig. 7

11.2.2 Brake assembly and adjusting (figures 6 and 7)

Proceed in the opposite way when assembling. Slip over the hub (1) the friction insert (2B); ratchet (3) and second friction insert (2A). Set it in the crank arm (7), slide on the spring (4) and screw on the nut (5). Tighten the nut so that the clearance in the dent is from 4 to 6 mm (see fig. 5) and screw down the screws (6).

11.3 GENERAL INSTRUCTIONS

Following instructions give general important information on disassembly, check up, repair and assembly. If the jack was dismantled from any reason act upon the instructions as follows.

1. Perform maintenance in clean environment.
2. **NEVER** disassemble the jack more than it is necessary to carrying out the needful repair.
3. **NEVER** use excessive power when dismantling parts.
4. **NEVER** use heat (fire) as the mean when dismantling parts, if the parts are destined for next use.
5. Keep the workplace clean and without foreign materials that could get into bearings and other movable parts.

6. If you squeeze the part in vice, use always the appropriate pads for protection of parts surfaces.

11.4 CHECK UP

Check up, whether all disassembled parts are suitable for next use.

1. Check up, whether no parts are worn out and have no chutes or fissures.
2. Check up, whether threaded parts have not the damaged thread.

11.5 REPAIR

Outworn or damaged parts must be replaced.

Remove little burrs and scratches or other minor surface defects and flatten out with fine grinder or abrasive cloth.

11.6 TEST

The load test must be performed at all repaired jacks by qualified person with the load exceeding the load capacity by 10% for verification of function and brake of the jack.

12 PUTTING OUT OF OPERATION – LIQUIDATION

The jack do not contain any noxious agents, its parts are from steel and cast iron. Hand over the jack after putting out of operation to the firm dealing with liquidation of waste metal.

13 RELATED DOCUMENTATION

13.1 EC declaration of conformity

13.2 The Operation Manual was elaborated in accordance with following technical regulations, technical standards and national regulations:

- Ministerial order No.24/2003 of the Collection of Law as amended (EP and Council directive 98/37/EC)
- Ministerial order No.23/2003 of the Collection of Law as amended (EP and Council directive 94/9/EC)
- ČSN EN ISO 12100 - 1
- ČSN EN ISO 12100 - 2
- ČSN EN 1494
- ČSN EN 1050
- ČSN EN 1127 - 2
- ČSN EN 1127 - 1
- ČSN EN 13463 - 1
- Regulation of CBM (Czech Bureau of Mine) No.22/89 of the Collection of Law
- ČSN 33 2030.

14 FINAL REQUIREMENTS OF THE PRODUCER TO THE CUSTOMER

Any changes of the product, eventually usage of unoriginal spare parts can be realized only based on the approval of the producer.

When not observing this condition the producer does not guarantee safety of his product. In this case, any producer's guarantees do not apply to the product.



EC Declaration of conformity



Manufacturer **BRANO a.s.**
747 41 Hradec nad Moravicí, Opavská 1000
The Czech Republic
ID No.: 45193363 TIN: CZ45193363

We declare under our sole responsibility that the product

| | |
|--------------------|---------------------------------------|
| Name: | Rack jack |
| Type: | 15-00; 15-01; Z23 |
| Parameters: | Load capacity 2,5t; 5t; 10t; 16t; 20t |

Description and purpose of use:

Jacking equipment destined entirely for underposable raising and lowering of free loads at normal atmospheric conditions in the workplace when observing the specified maximum load capacity.

Is in conformity with the following directives and standards:

MO CR No. 24/2003 of Coll.of Law, RE directive No. 98/37/EC,
ČSN EN ISO 12100-1:2004(EN ISO 12100-1:2003), ČSN EN ISO 12100-2:2004(EN ISO 12100-2:2003), ČSN EN1050:2001(EN1050:1996), ČSN EN 1494

The following authorized body had a share in conformity assessment:

Hradec nad Moravicí 1.9.2004

Ing. Alena Šimečková

Ing.Zdeněk Pavlíček

Place

Date

Director of SBU ZZ

Manager of Q SBU ZZ